

CONTAINER SOLUTION

FRONT LOAD CONTAINERS



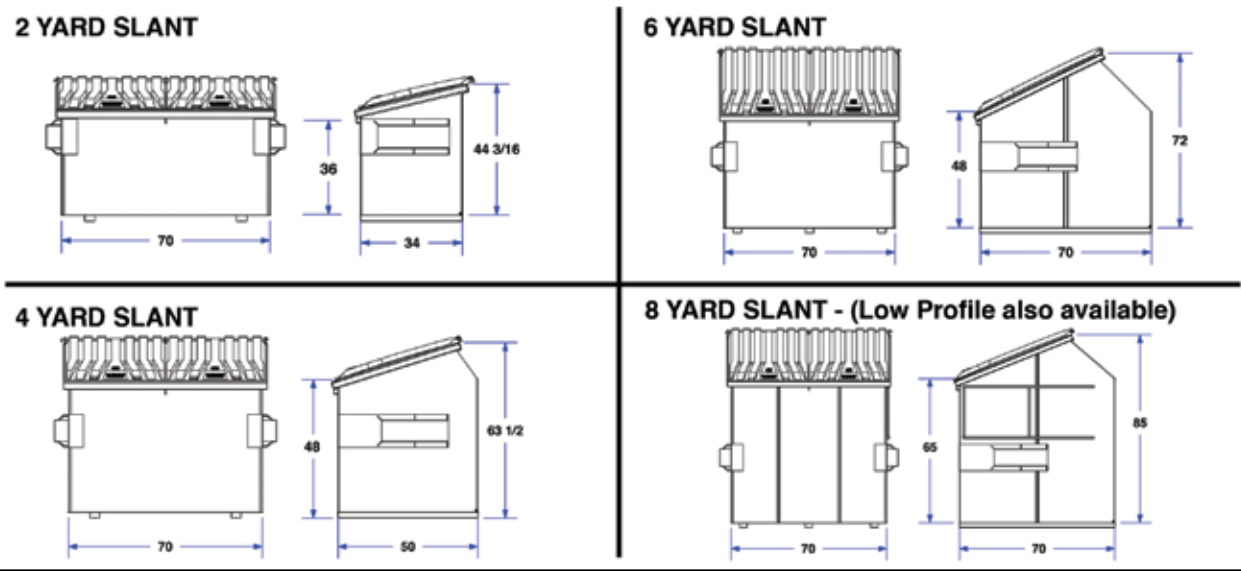
- 2 TO 10 CUBIC YDS
- STRONG OVERLAPPED CORNERS
- OVERLAPPED POCKETS
- SLANTED-FLAT-GABLE

a division of
QUATREX
ENVIRONMENTAL INC.

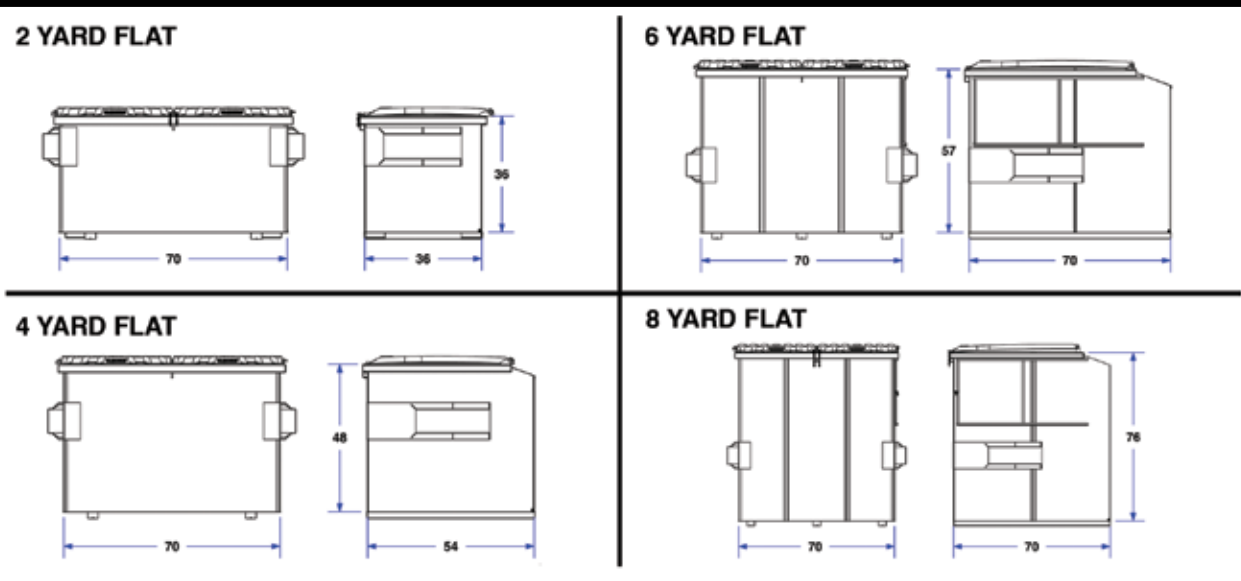
www.quatrex.ca

FRONT LOAD

SLANT



FLAT



FEATURES

- Steel floor 10GA
- Steel sides 12GA
- Steel top frame 11GA
- Floor chanel 11GA
- Pocket and re-inforcement steel plate 3/16
- Overlapped corners, offers more rigidity and durability
- All models come with a drain plug
- 1/2" zinc plated hinge rod
- Hinge bracket offering 2 rod position
- Duraflex lids

MONTREAL
2105 Monterey, Laval, Quebec, Canada H7L 3T6
Tel : (450) 963-4747
Toll-Free: 1-800-967-3002
Fax: (450) 622-5392

MISSISSAUGA
1011 Haultain Court, unit #16, Mississauga, Ontario, Canada L4W 1W1
Tel : (905) 848-1039
Toll Free: (866) 782-8739
Fax: (905) 848-9323

CONTAINER SOLUTION

ROLL OFF CONTAINERS



- AVAILABLE IN 10 TO 70 CUBIC YDS
- STRONG OR HEAVY DUTY
- HIGH STRENGTH STEEL
- GREASABLE FRONT NOSE ROLLERS
- HEAVY DUTY HINGES

a division of
QUATREX
ENVIRONMENTAL INC.

www.quatrex.ca

FEATURES

STRONG

- Floor 3/16
- Walls 10GA
- Main Rail 6" x 2" x 1/4"
- Channel C3 @ 4.1 LBS at 16" centre
- Top Beam 4" x 3" x 3/16"
- Vertical post 26" centre
- Greasable Wheels 8" Ø x 10" front and rear
- 3 hinges on 6' walls and up
- Reinforced rear door

HEAVY DUTY

- Floor 1/4"
- Walls 3/16" GA
- Main Rail 6" x 2" x 1/4"
- Main Rail reinforced with 3/8" x 2" flats
- Channel C3 @ 4.1 LBS at 12" centre
- Top Beam 4" x 4" x 1/4"
- Vertical post 24" centre
- Greasable Wheels 8" Ø x 10" front and rear
- 3 hinges on 6' walls and up
- Reinforced rear door

